

Suzuki GS 500 E



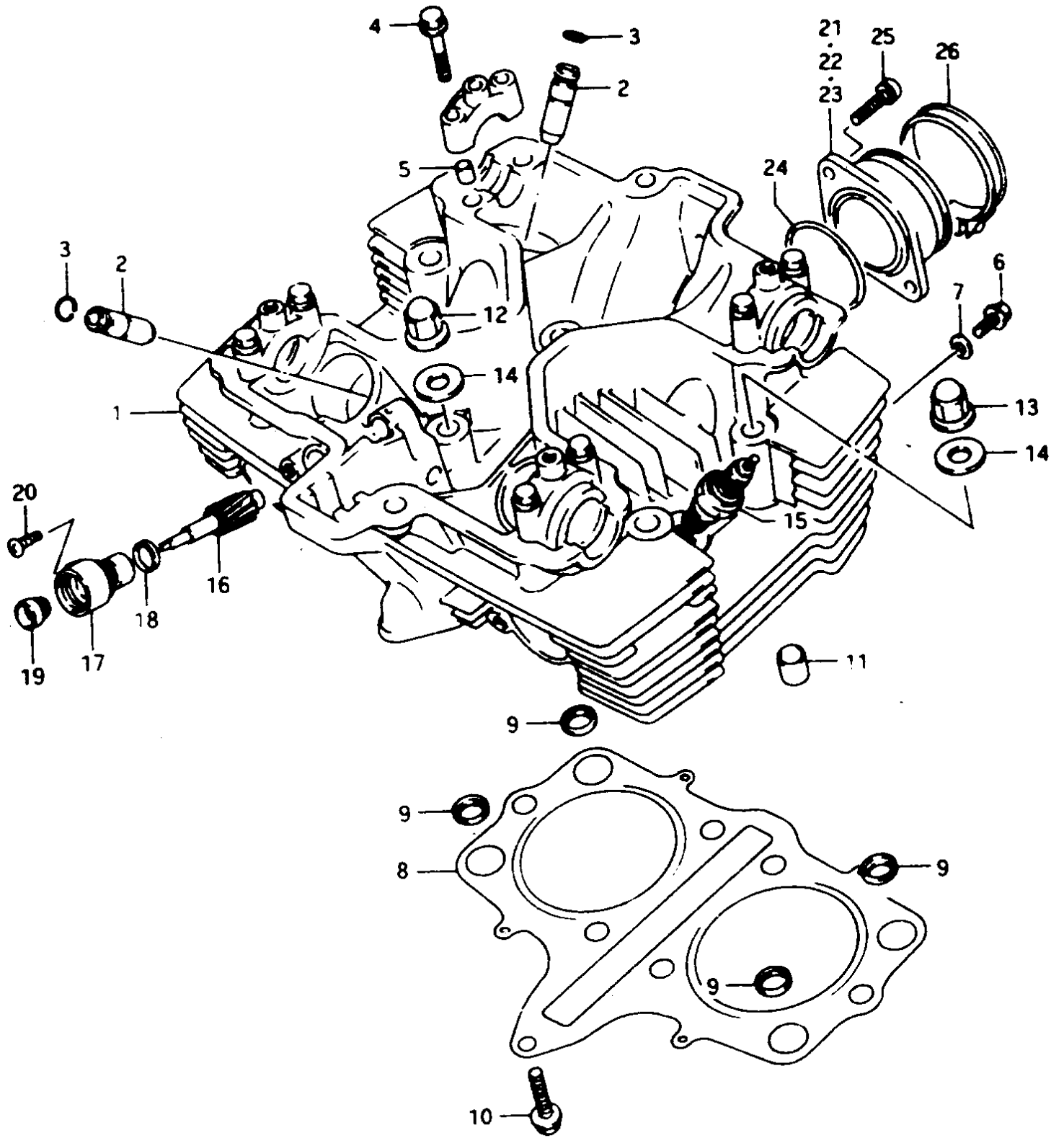
**Zweizylinder-Viertakt, Reihe, 487 ccm, 33 kW (45 PS) bei 9.000 /min,
*25 kW (34 PS), 188 kg, Sitzhöhe 79 cm, 171 km/h**

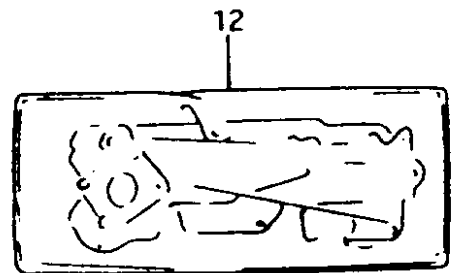
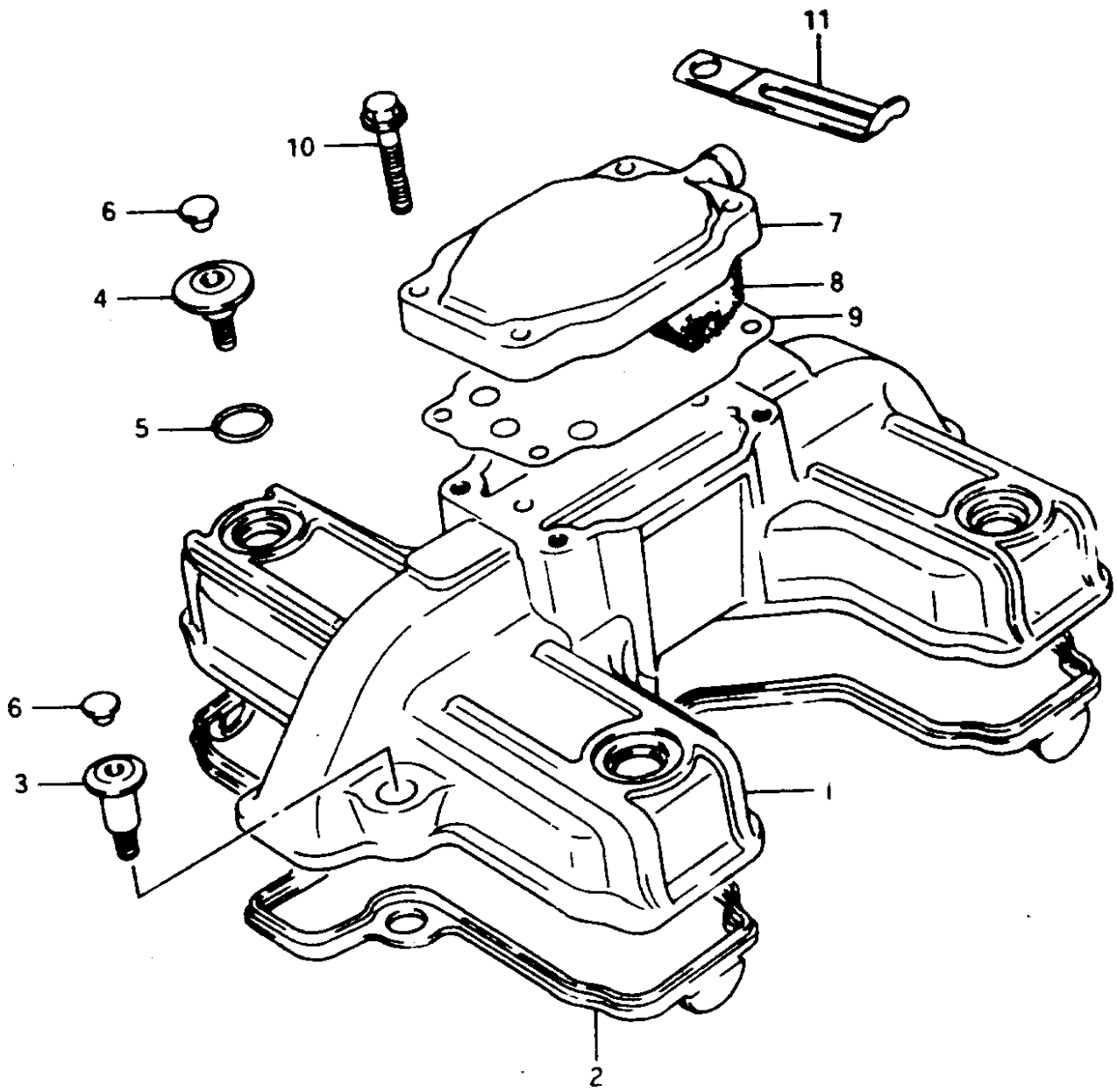
COLOR CHART
 TABLEAU DES COULEURS
 CUADRO DE COLORES
 FARBTABELLE

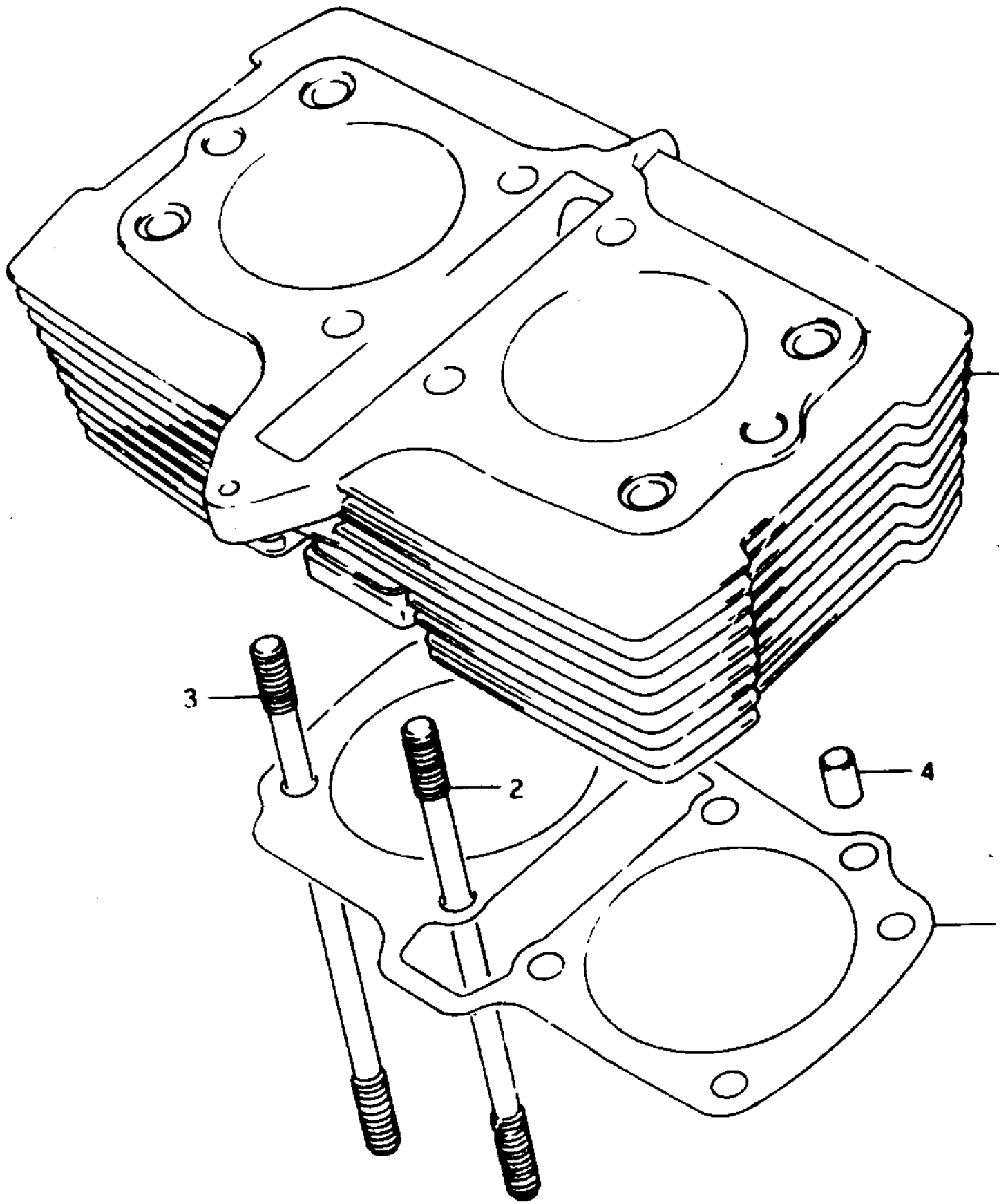
COLOR NO. NO DE COULEUR NO.DE COLOR FARBCODE	COLOR DESCRIPTION DESCRIPTION DE COULEUR DESCRIPCION DE COLOR FARBESCHREIBUNG	COLOR NO. NO DE COULEUR NO.DE COLOR FARBCODE	COLOR DESCRIPTION DESCRIPTION DE COULEUR DESCRIPCION DE COLOR FARBESCHREIBUNG
A4K	21J.1NH.28V	JFL	MARBLE JADE GREEN
A4L	13L.1NF.33J	0FP	TRADITIONAL SILVER METALLIC
A4M	21J.1TC.1HU	0JW	PEARL STILL WHITE
A4N	21J.28V	0NF	DYNAMIC BLUE
A4P	21J.1HU	0ZK	C.PEGASUS BLUE
C1W	14B.19A.0JW	019	BLACK
C1Y	14F.33J.0JW	064	PURE WHITE
C1Z	14B.1TU.0JW	1GT	OFF SIDE BLUE (A)
D0V	14B.1ZV.0JW	1HU	DEEP PURPLE METALLIC
D1F	14B.0JW	1JG	GOBUGALIDA PINK
F89	16B.0FP.28V	1NF	INP PURPLE METALLIC
F91	33L.0FP.0FL	1NH	GRAND PINK
F92	33L.0FP.0ZK	1TC	PHANTOM PINK METALLIC
F93	16B.0FP.28V.17U	1TU	LIGHT PURPLE METALLIC
F94	22R.0FP.33J.17U	1ZV	CANDY TEAL BLUENISH GREEN
F95	33L.0FP.17U.0FL	12R	LIGHT SILVER METALLIC
F96	33L.0FP.17U.0ZK	13L	BRIGHT SILVER METALLIC
H05	16B.0FP	13Z	SPACE BLACK
H06	33L.0FP	14B	FANTASTIC COPPER GOLD METALLIC
L32	0JW.1JG.1GT	16B	SHARK SILVER (TAPE)
L33	0JW.764.24K	17U	URBAN GRAY METALLIC
L34	0JW.0FP.39J.13Z	19A	CANDY ANTARES RED

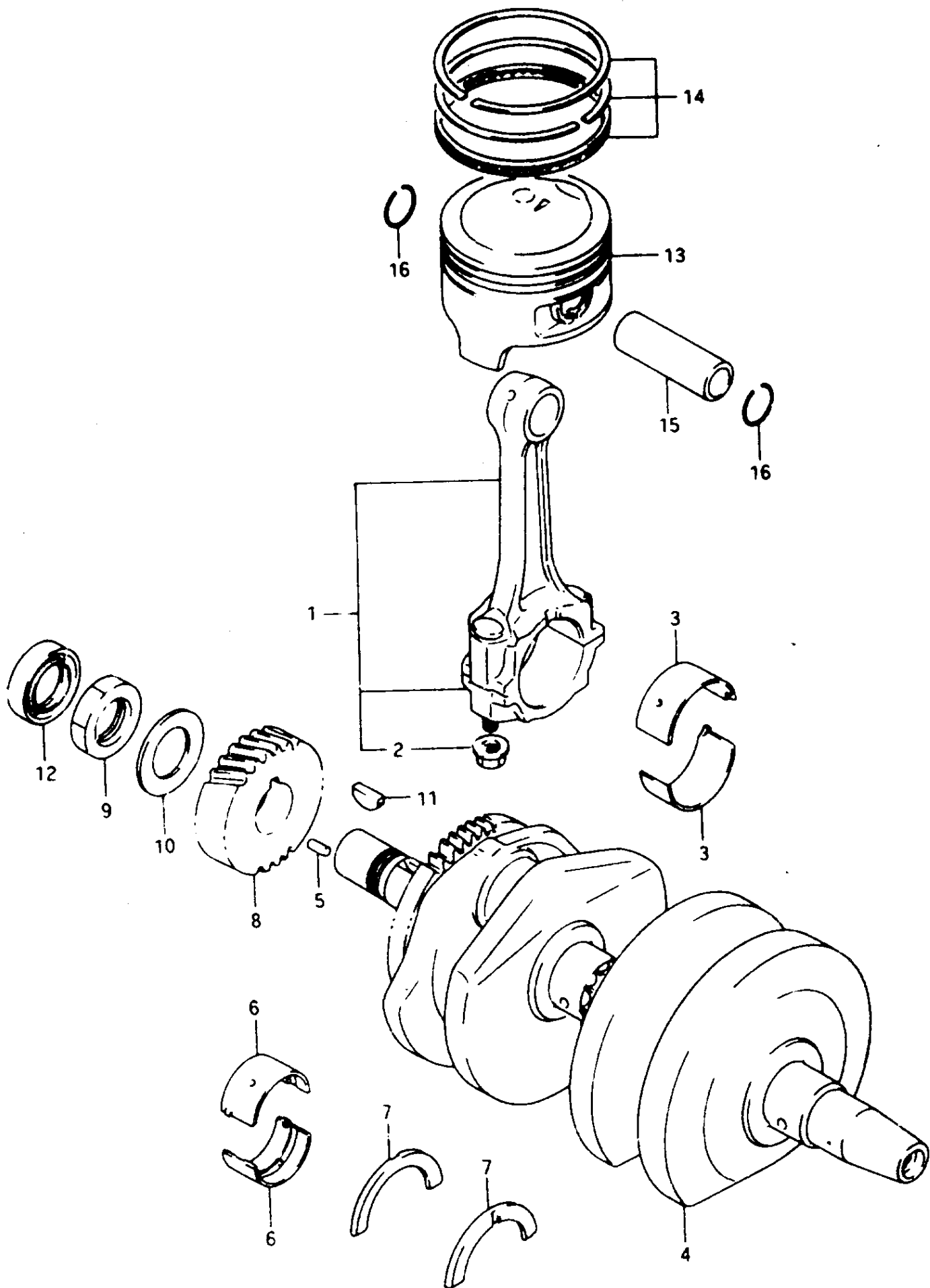
COLOR CHART
 TABLEAU DES COULEURS
 CUADRO DE COLORES
 FARBTABELLE

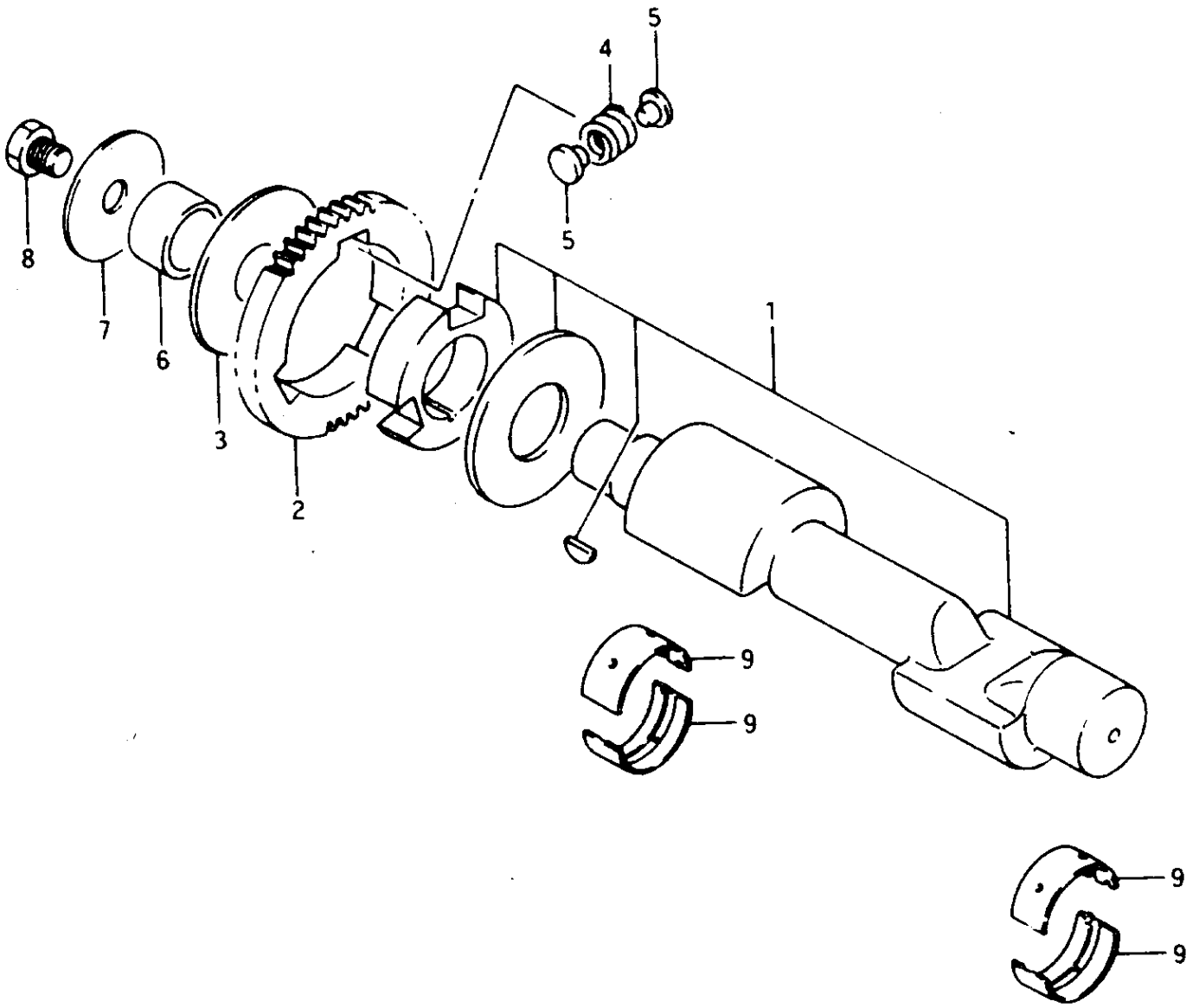
COLOR NO. NO DE COULEUR NO.DE COLOR FARBCODE	COLOR DESCRIPTION DESCRIPTION DE COULEUR DESCRIPCION DE COLOR FARBESCHREIBUNG	COLOR NO. NO DE COULEUR NO.DE COLOR FARBCODE	COLOR DESCRIPTION DESCRIPTION DE COULEUR DESCRIPCION DE COLOR FARBESCHREIBUNG
2DN	27J.33N	33N	MARBLE PARSEC BLUE
20H	WARM SILVER METALLIC	36X	PEARL NOVELTY BLACK
21J	SHERBET SILVER METALLIC	38X	RED
22R	PEARL COOL WHITE	39J	MARBLE ROUGE RED
24G	LEGATO GOLD METALLIC	5PK	BLACK
24K	LIGHT CHARCOAL METALLIC	5RV	DARK WARM GRAY
27J	OCEAN BLUE (TAPE)	58R	BLACK
28V	MARBLE ITALIAN RED	6CJ	CATS EYE DARK WARM GRAY
28W	SPECIAL WHITE	60K	019.064
30C	33J.13L	742	SILVER METALLIC (TAPE)
3FN	33N.27J.24G.22R	764	GOLD (TAPE)
3FW	064.019.742.28V	8SH	742.28V
3FY	742.28V.064.12R.33J		
3VN	20H.17U		
3VT	33J.0FP.17U		
3VV	0FP.17U		
3WG	17U.20H.742		
3YH	6CJ.5RV		
3YR	17U.0JW		
30H	SPECIAL WHITE NG.2		
33J	PEARL NOVELTY BLACK		
33L	MARBLE ROSETTE PINK		

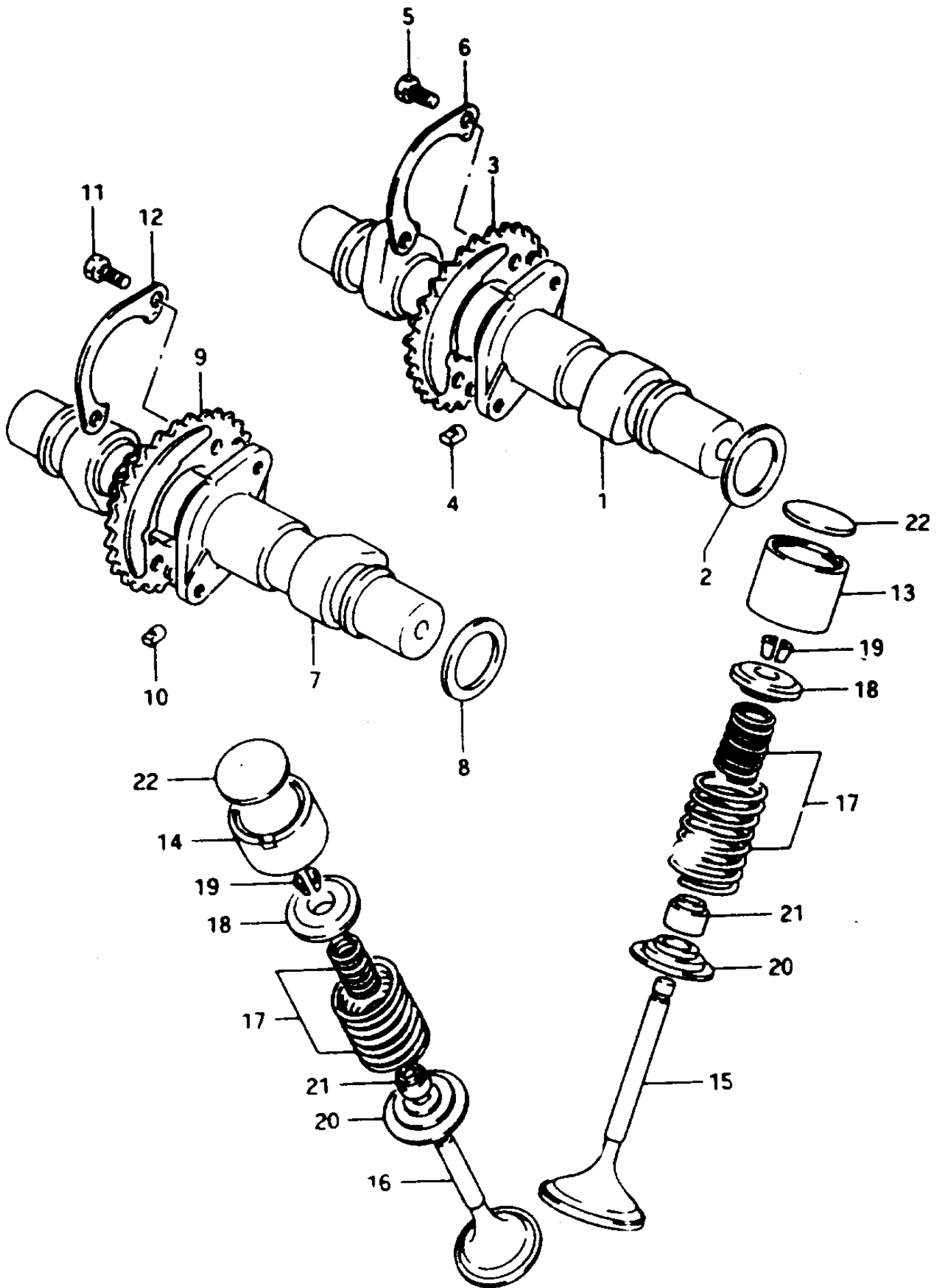


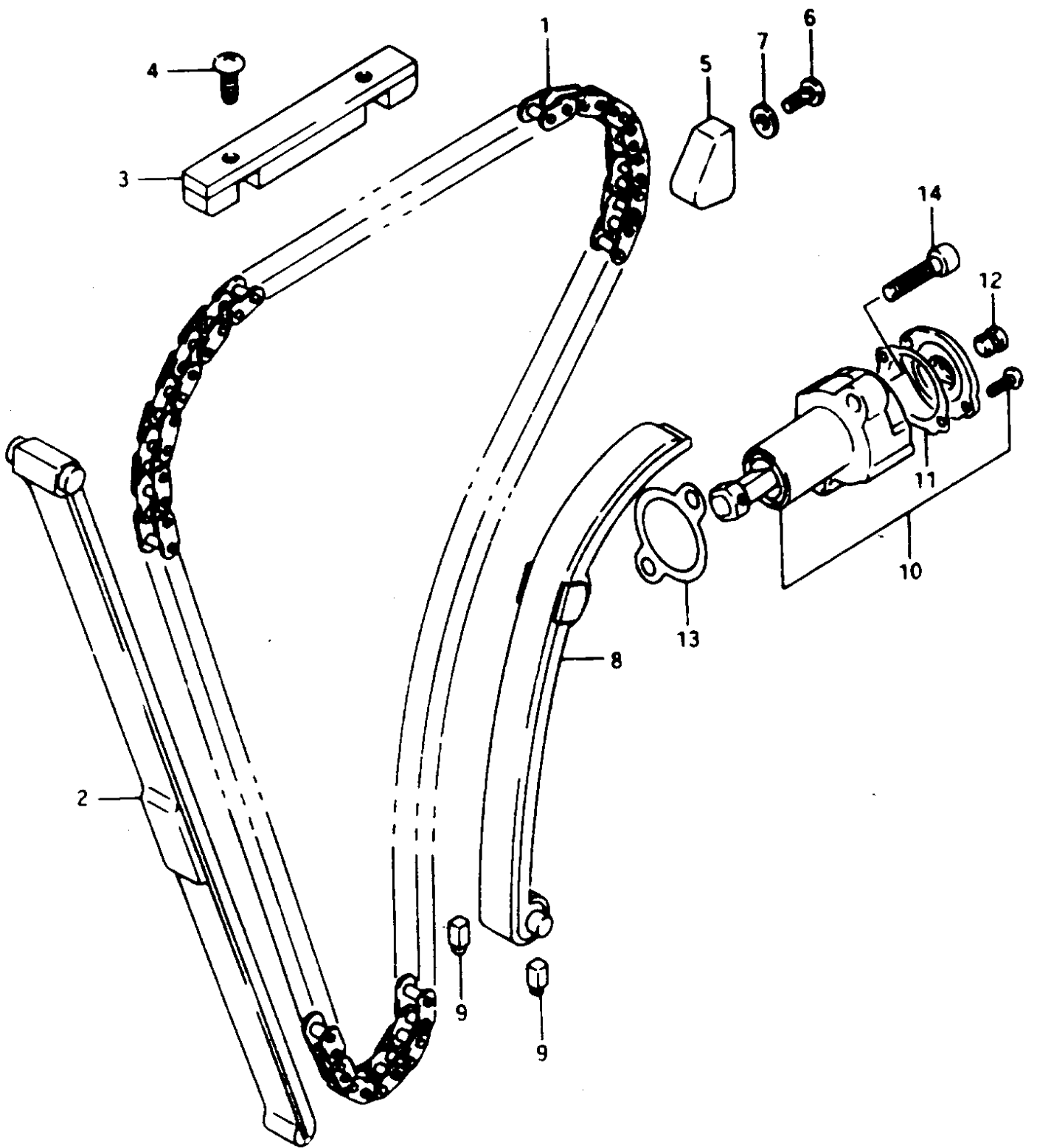


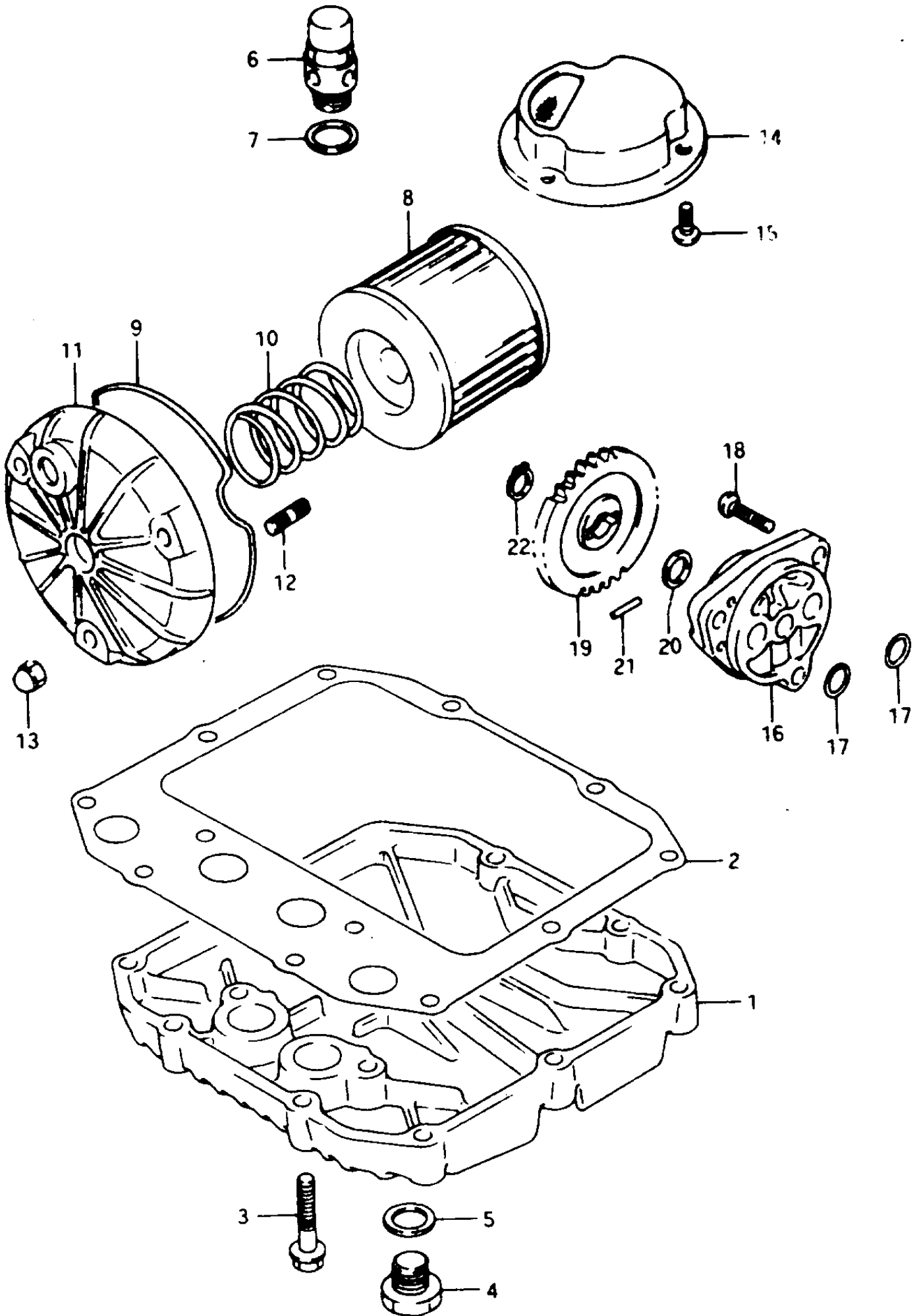


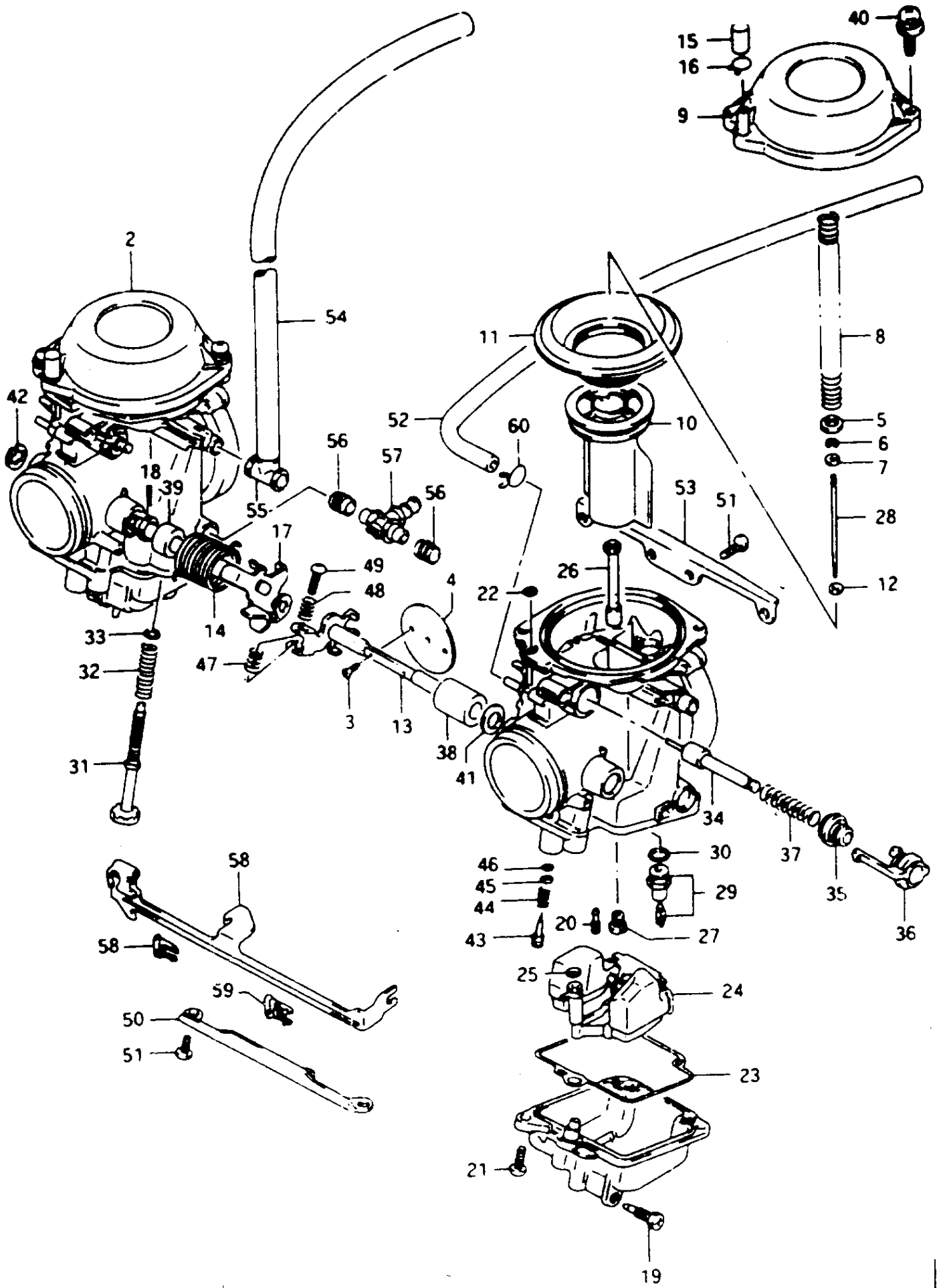


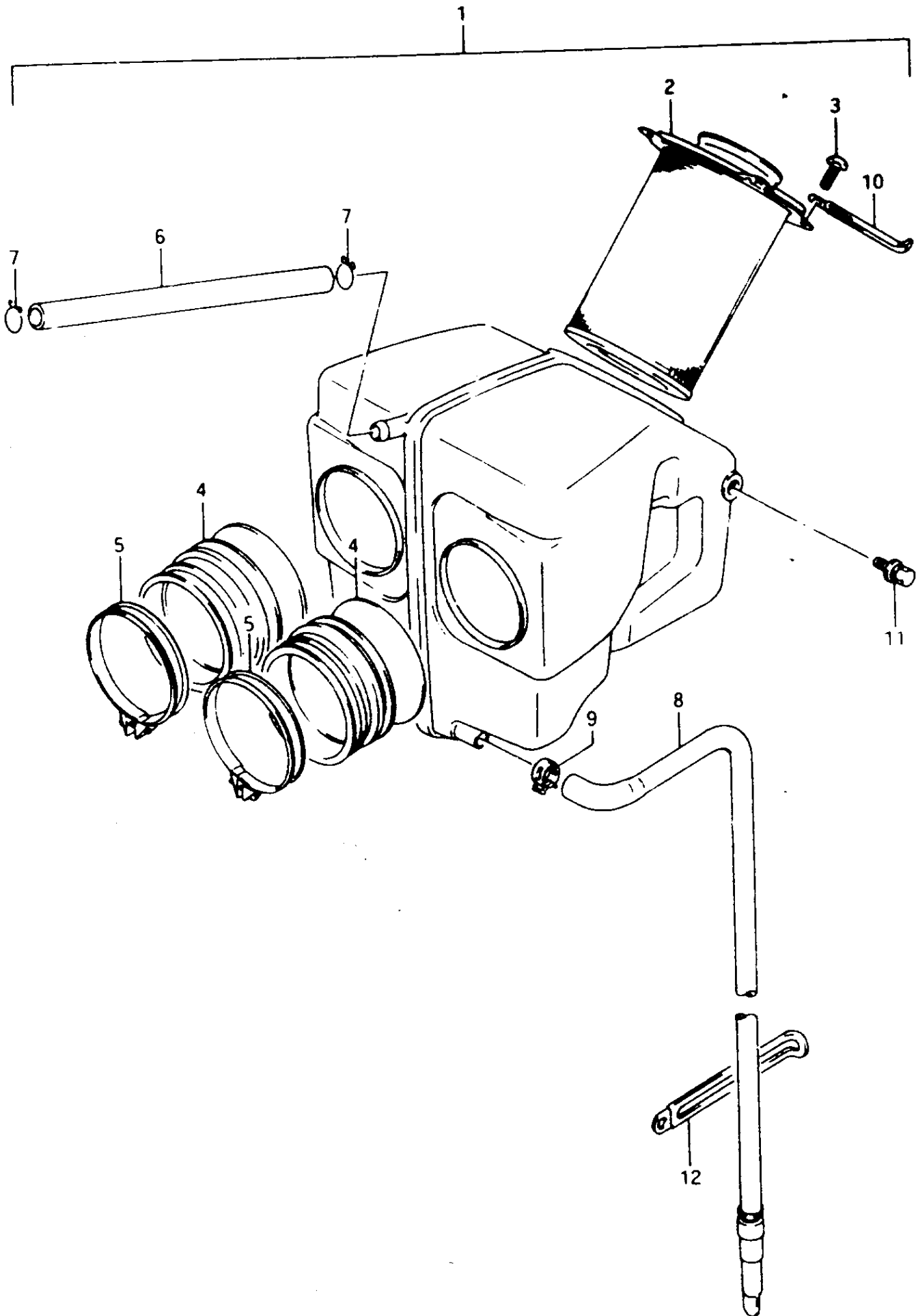


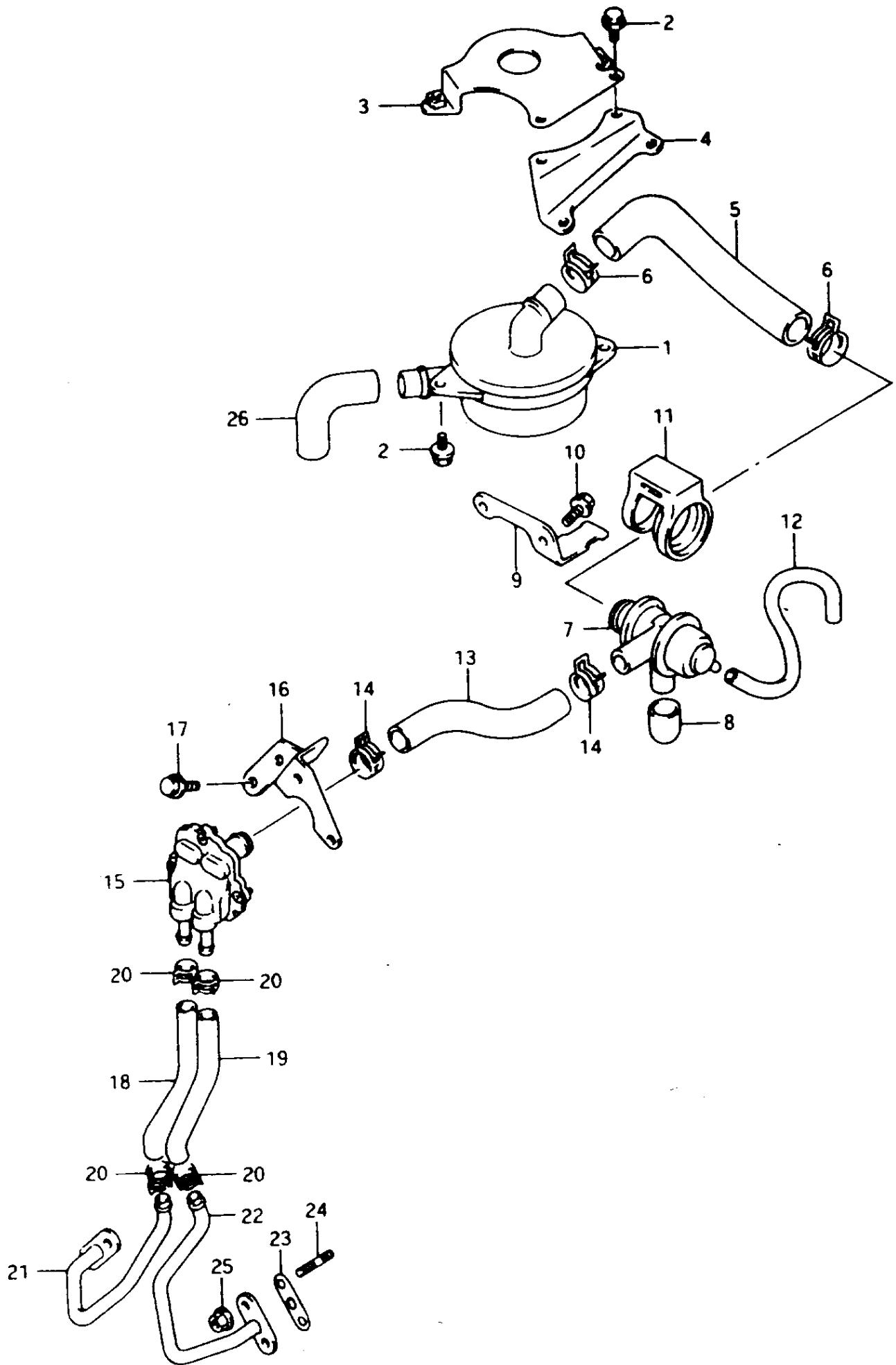


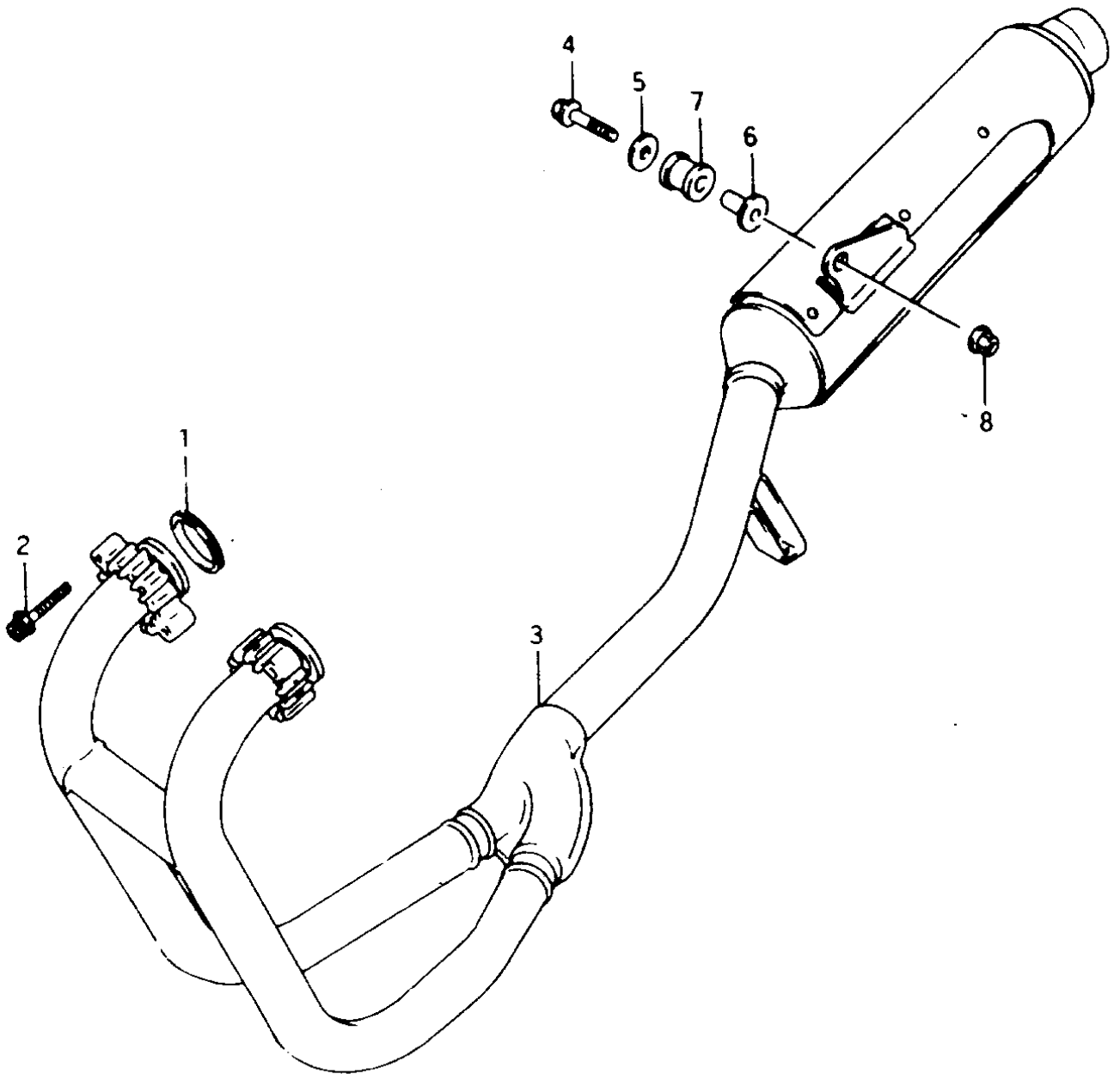


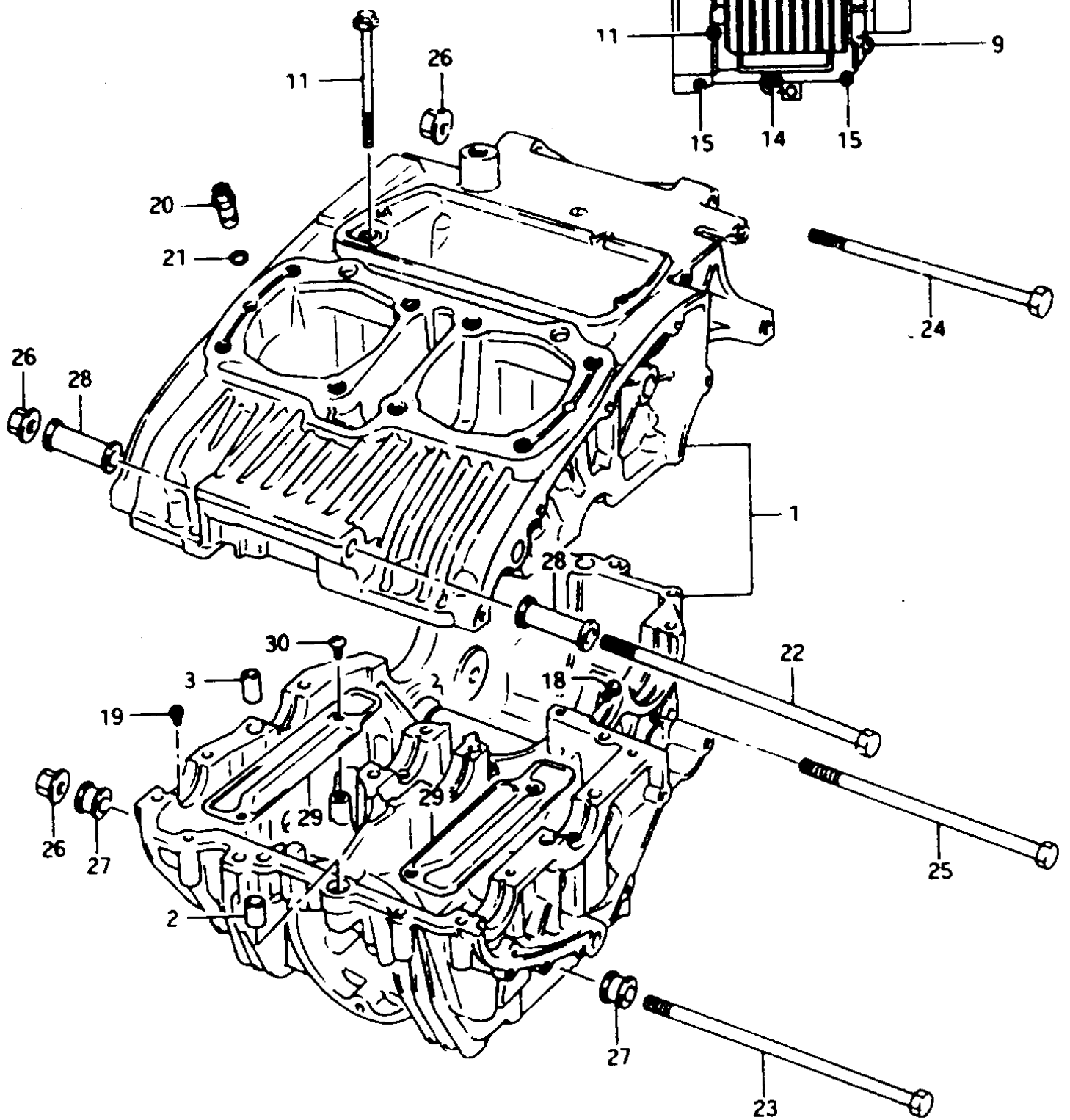
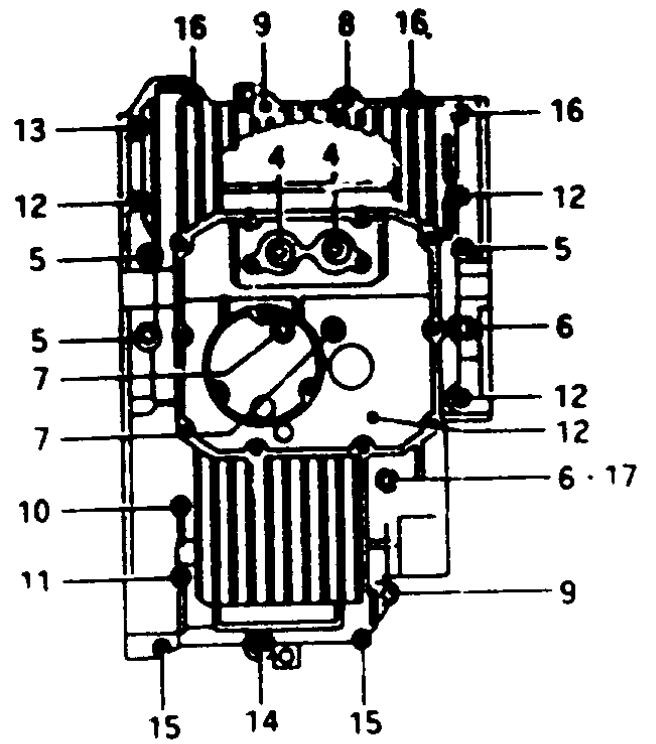


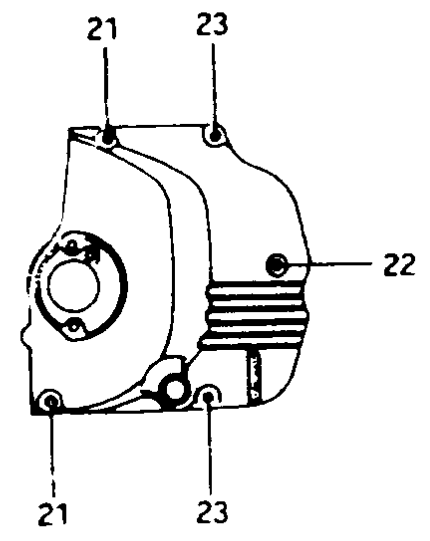
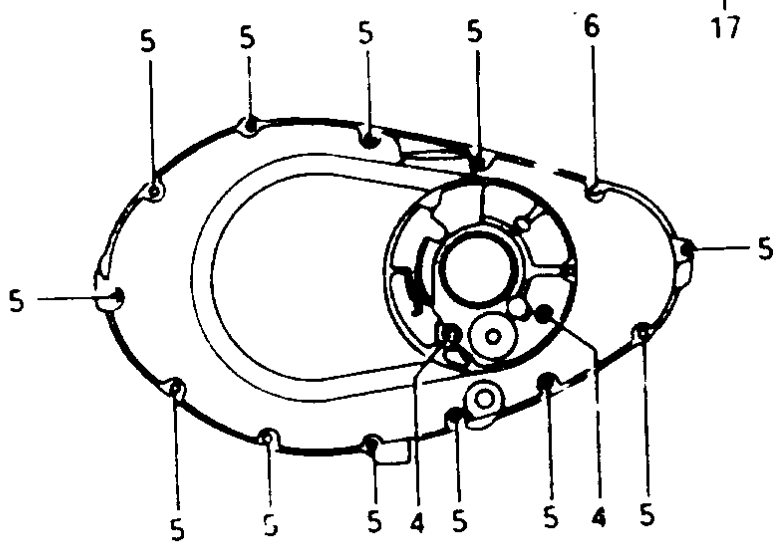
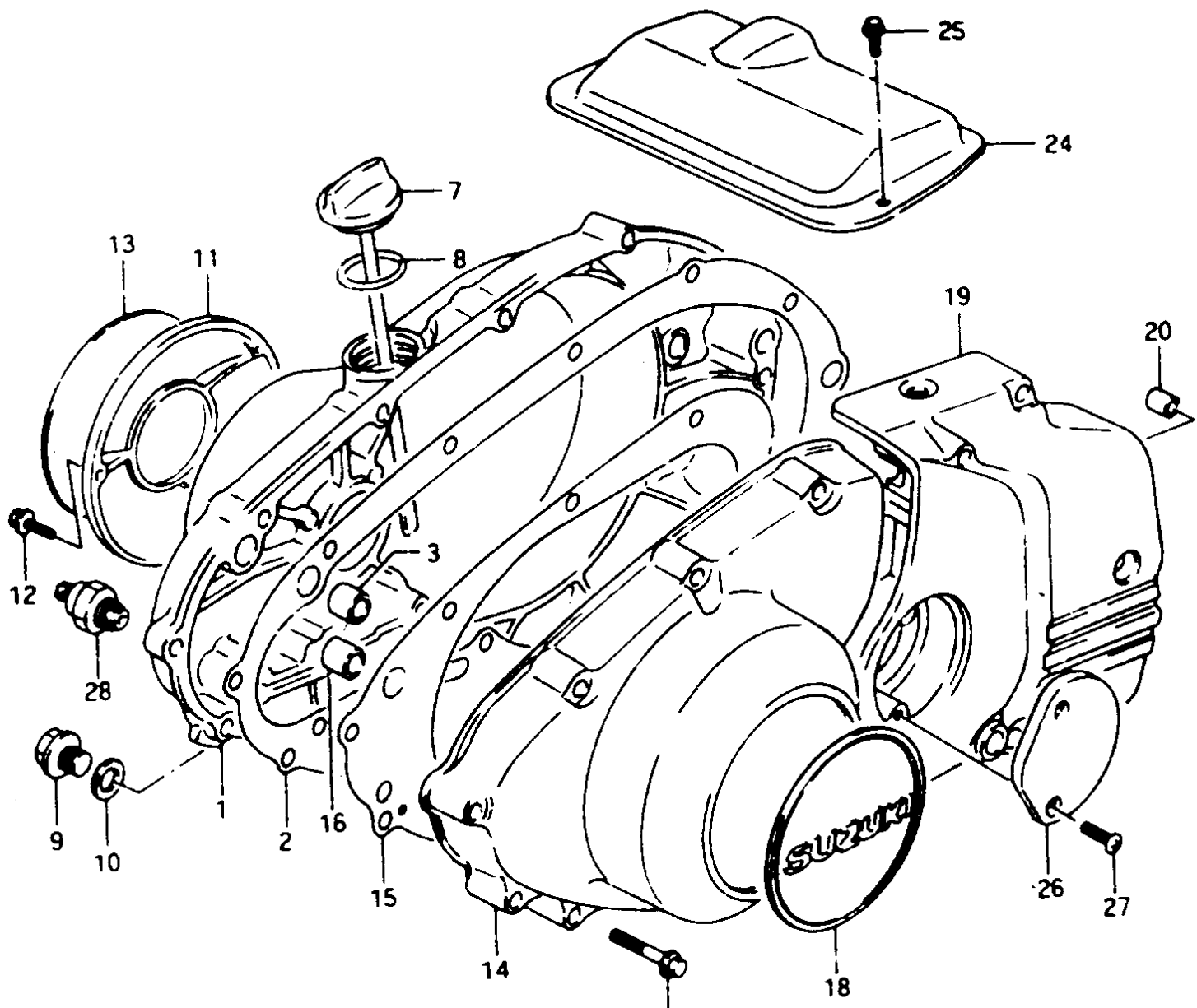


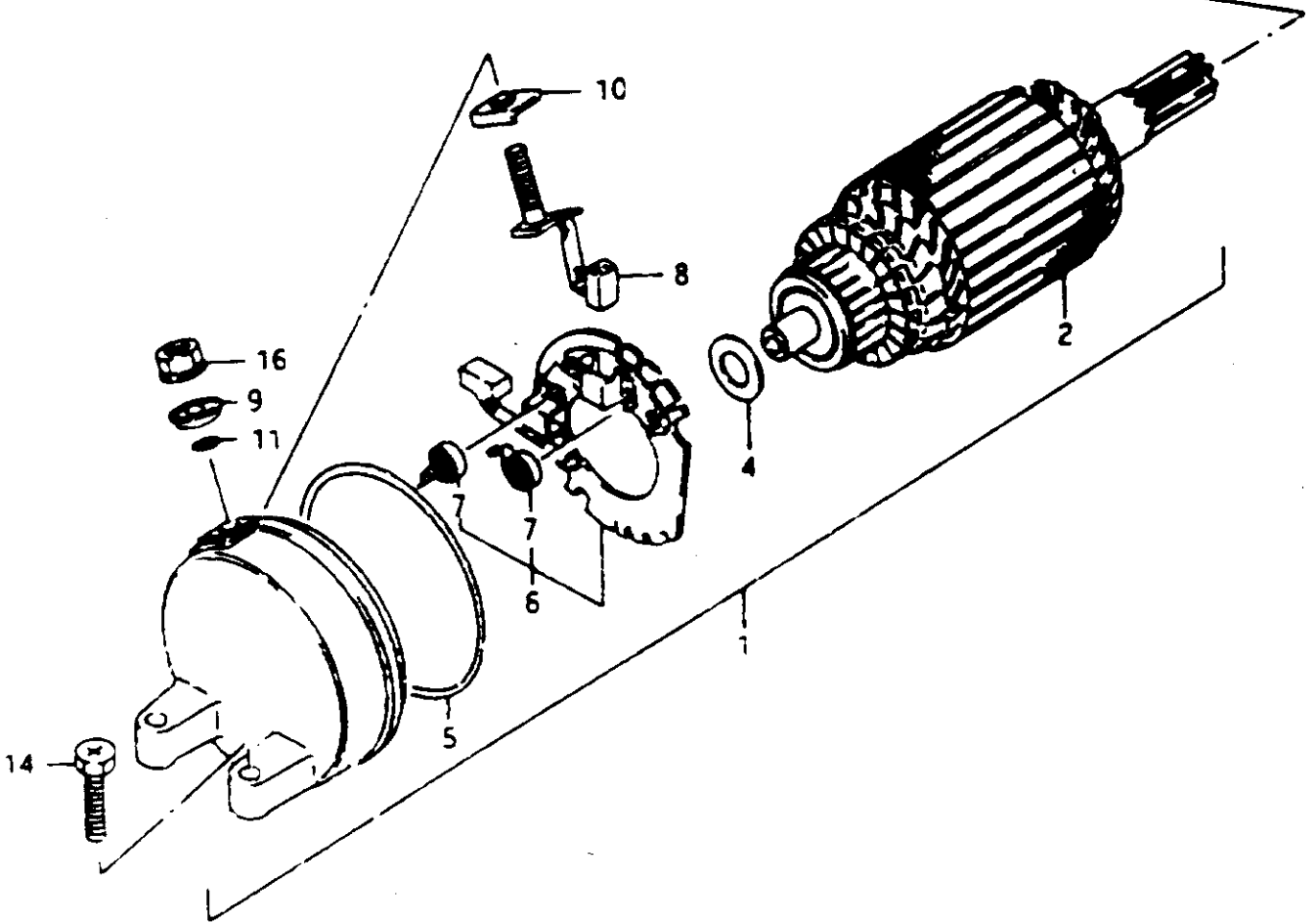
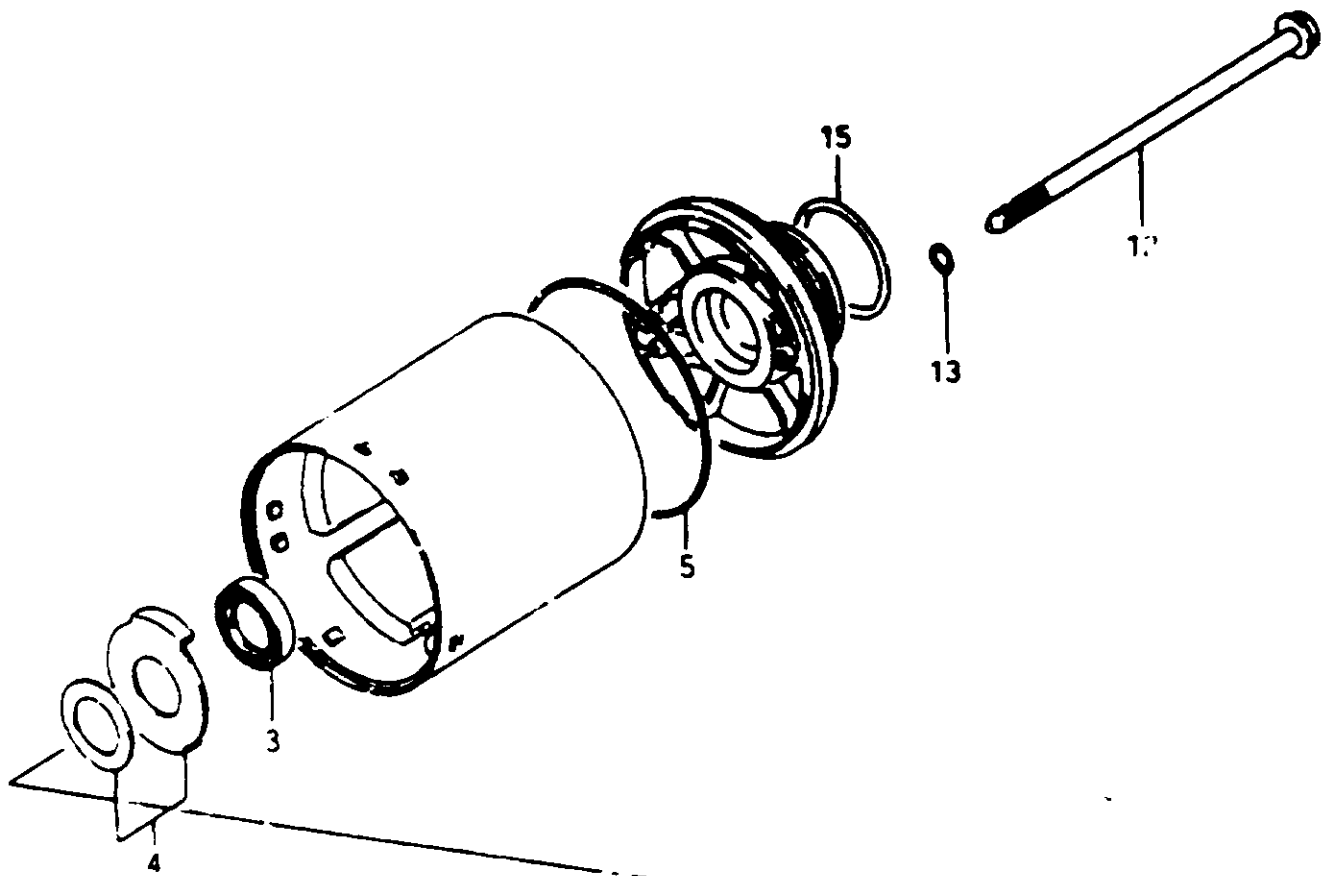


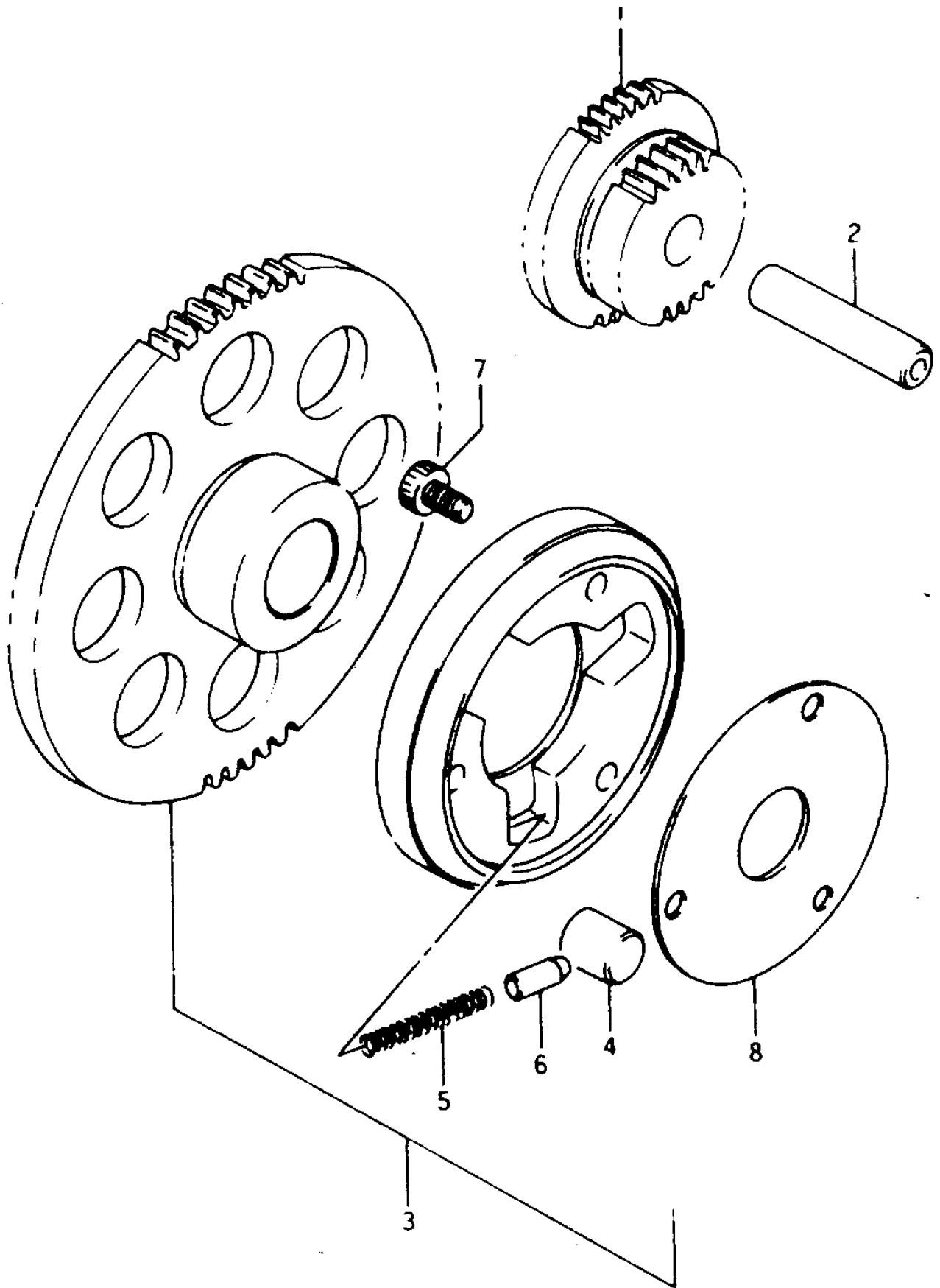


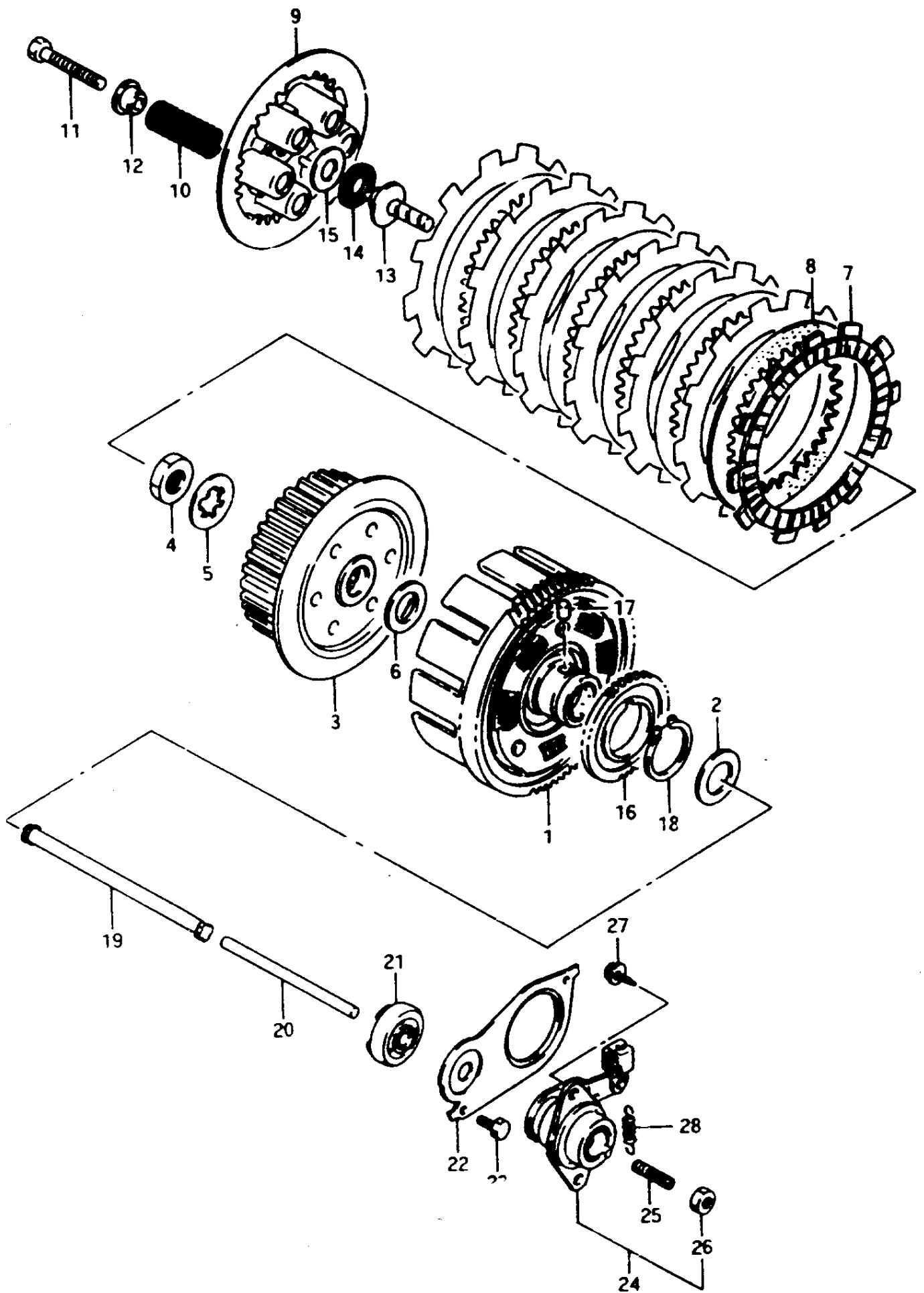


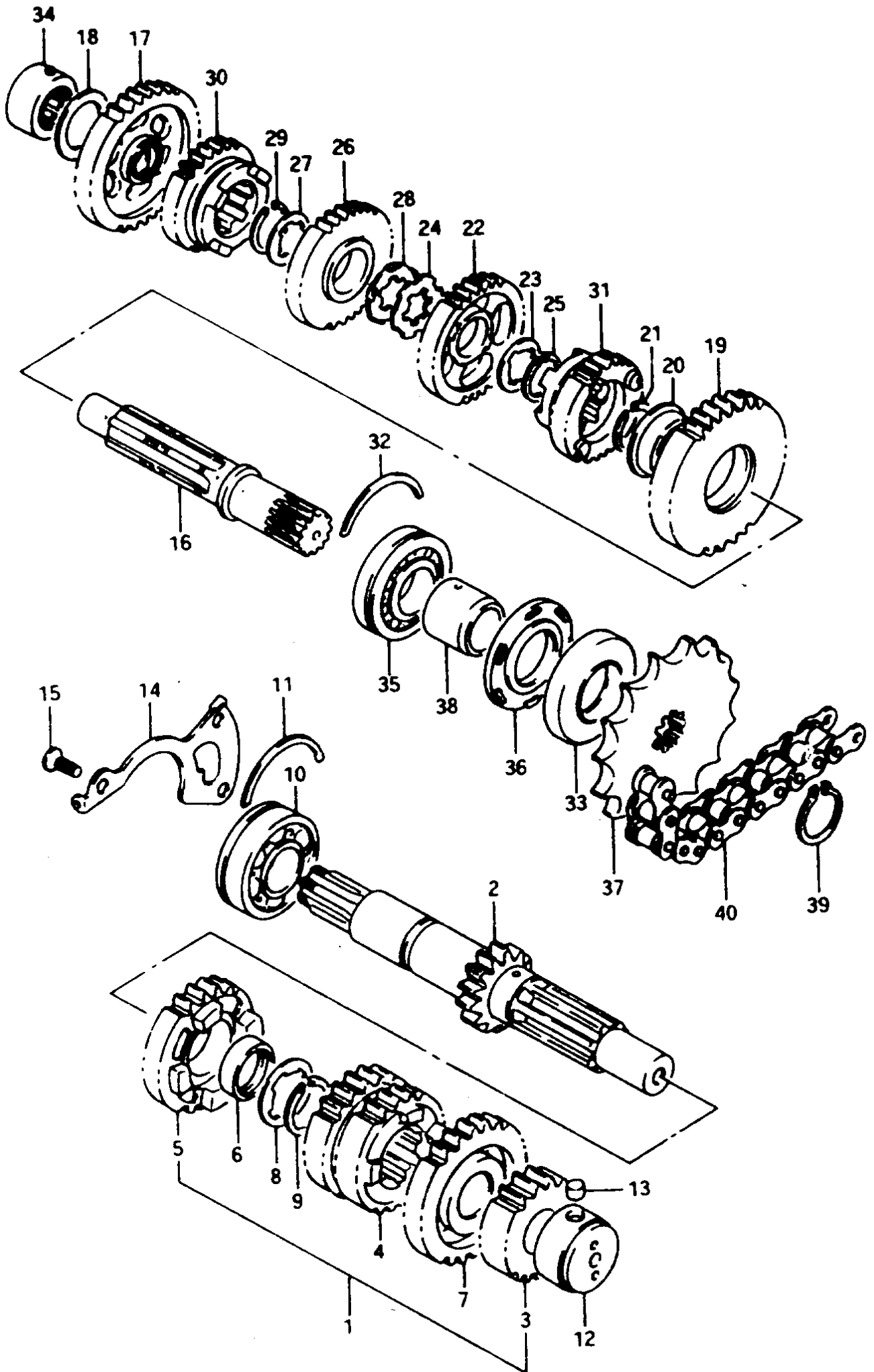


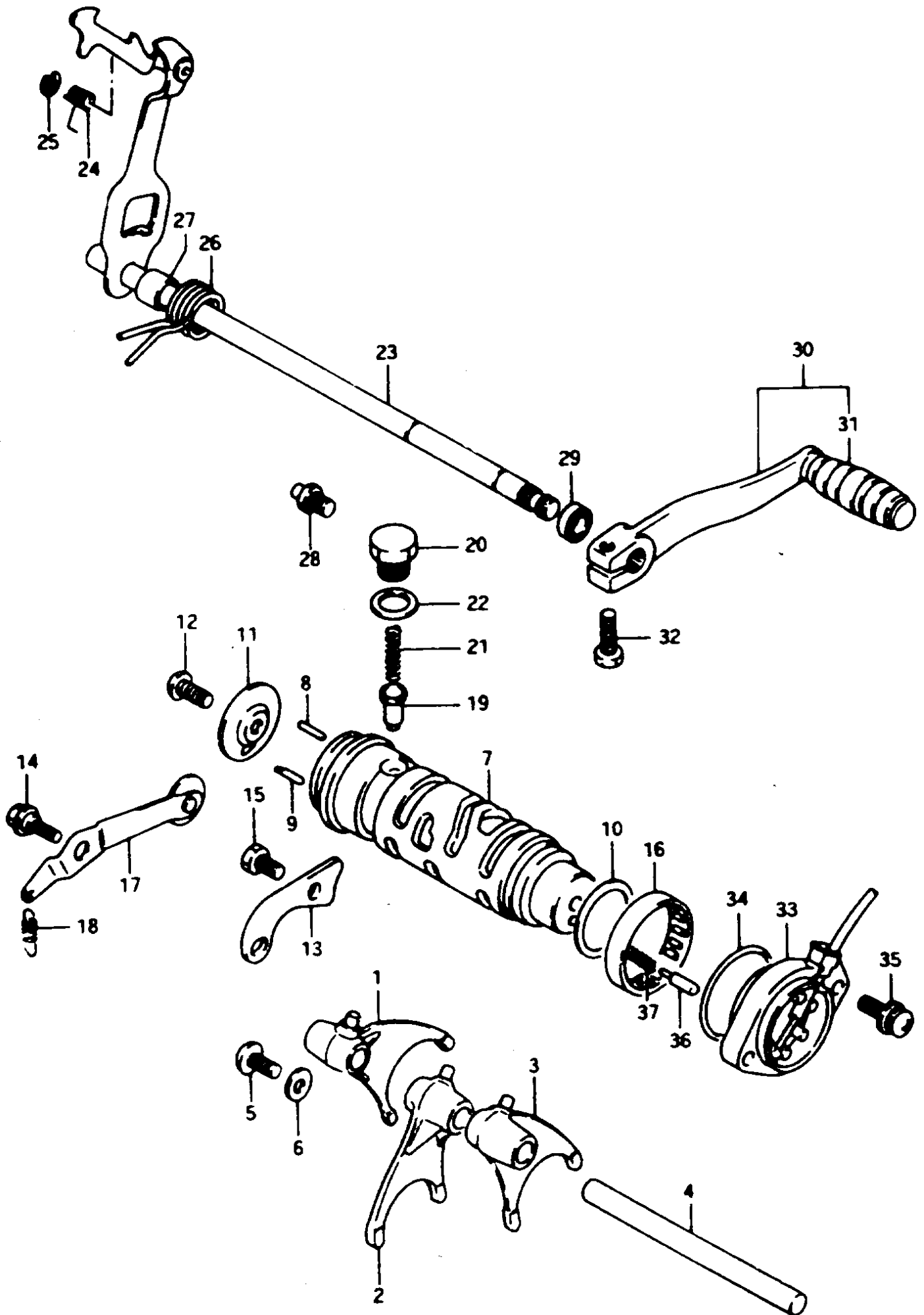


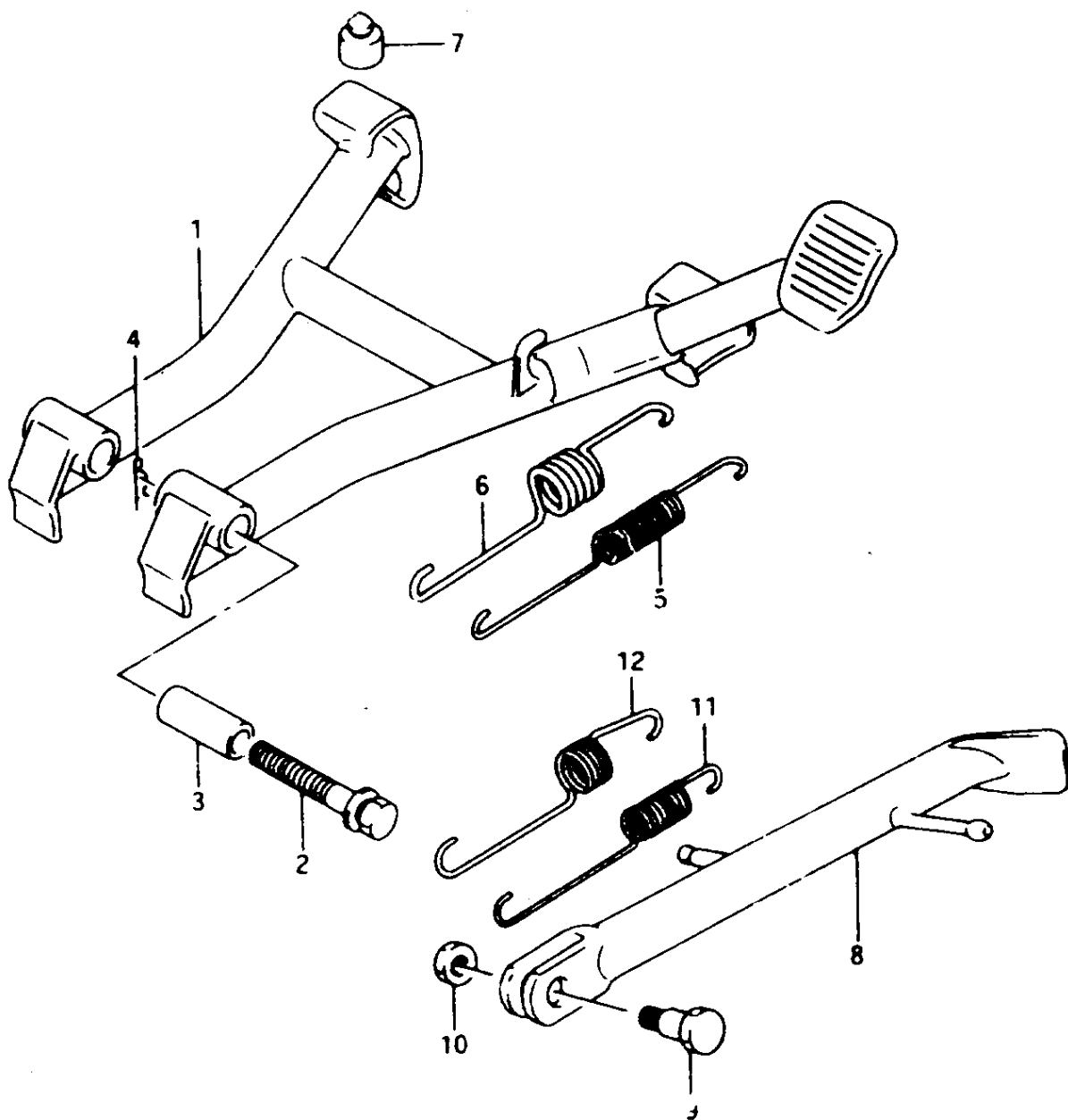
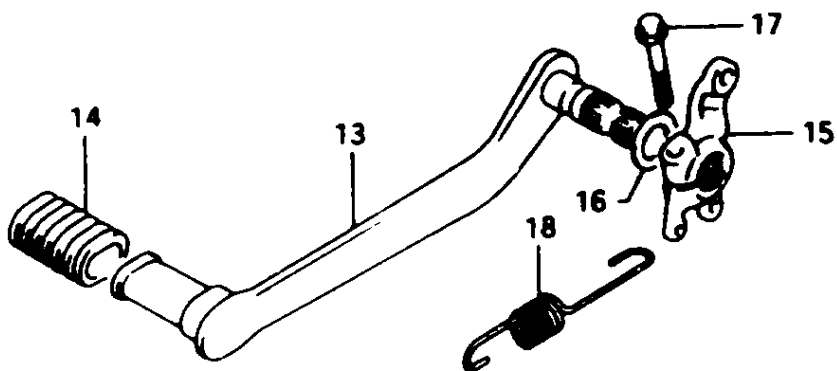












AIR CLEANER.....	D-12	CRANKSHAFT BALANCER..	B-11	FR DAMPER.....	H-8
BATTERY.....	E-10	CUSH LEVER.....	J-3	FR FENDER.....	I-4
CAN CHAIN.....	C-6	CYLINDER.....	B-4	FR MASTER CYL.....	I-14
CAN SHAFT.....	C-2	CYLINDER HEAD.....	B-3	FR WHEEL.....	I-6
CARBURETOR.....	D-2	CYL HEAD COVER.....	B-2	FUEL COCK.....	G-10
		ELECTRICAL.....	F-11	FUEL TANK.....	G-5

